

LIFE-STEEL



Installation Guide Outdoor Kitchen

Date: 2026.01

Installation Guide Outdoor Kitchen

To ensure a smooth and efficient installation of your outdoor kitchen, it is essential to carefully plan the positioning of water pipes, drainage and electrical connections in advance.

In this guide, we explain where these connection points should ideally be located, depending on the configuration of your outdoor kitchen.

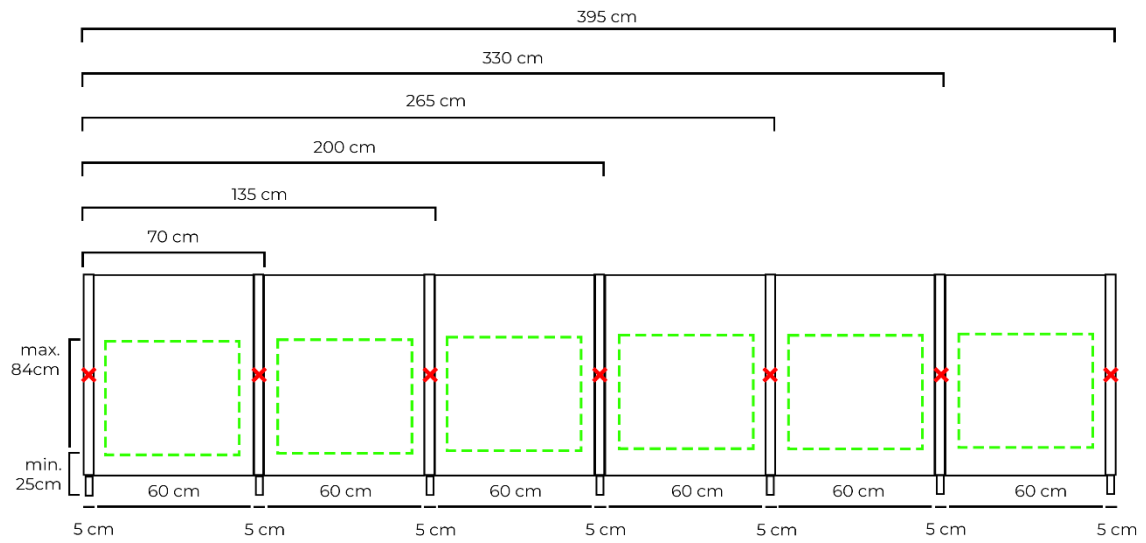
Contents

Infographic aansluitingen Life-Steel buitenkeukens Fout! Bladwijzer niet gedefinieerd.

1. Configuration of the Outdoor Kitchen	4
2. Positioning of Connections	5
3. Height of Connections	5
4. Sink and Tap Connections	6
5. Power Supply for Refrigerator	10
6. Sockets Above the Worktop	10
Questions?	11

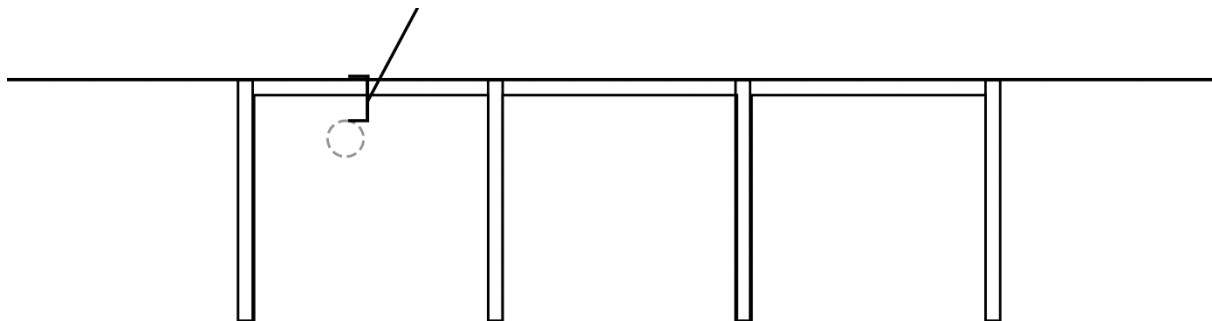
Infographic connections Life-Steel outdoor kitchens

Front view



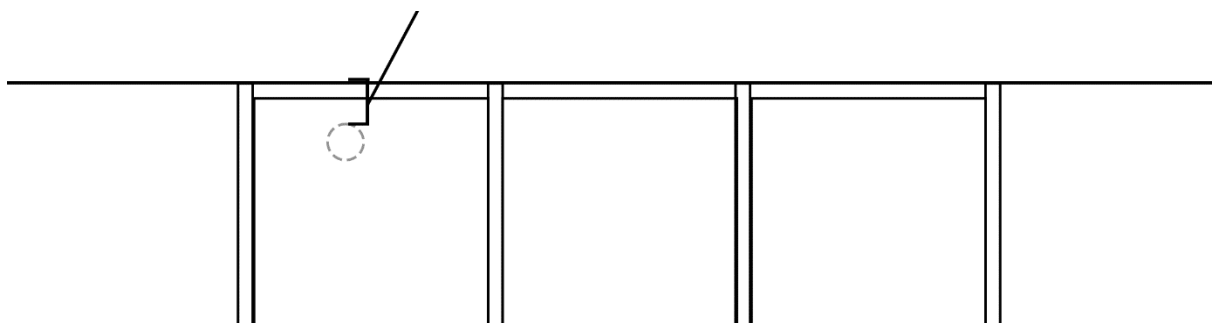
Top view

10 cm away from the rear wall.



Side view

10 cm away from the rear wall.



1. Configuration of the Outdoor Kitchen

A Life-Steel outdoor kitchen is constructed from modular units with the following configuration:

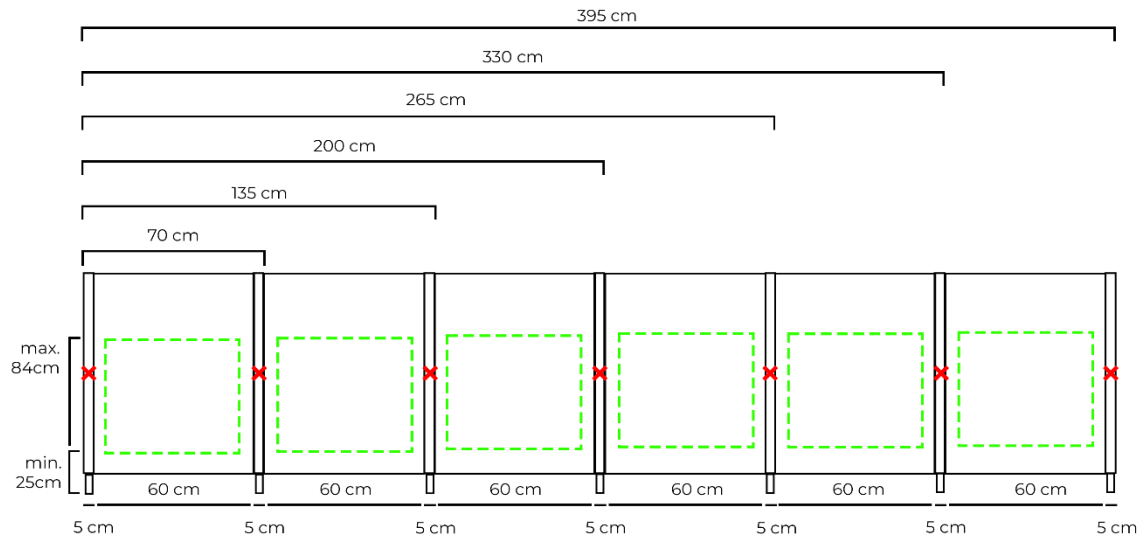


Figure 1 Front view of outdoor kitchen modules

First Module

The first module consists of:

- 1 side frame of 5 cm
- 1 cabinet unit of 60 cm
- 1 side frame of 5 cm

Total width: 70 cm

Each Additional Module

Every subsequent module consists of:

- 1 cabinet unit of 60 cm
- 1 side frame of 5 cm

Total width: 65 cm

Overall Width

The total width depends on the number of modules:

- 1 module = 70 cm
- 2 modules = 135 cm
- 3 modules = 200 cm
- 4 modules = 265 cm
- 5 modules = 330 cm
- Each additional module adds 65 cm

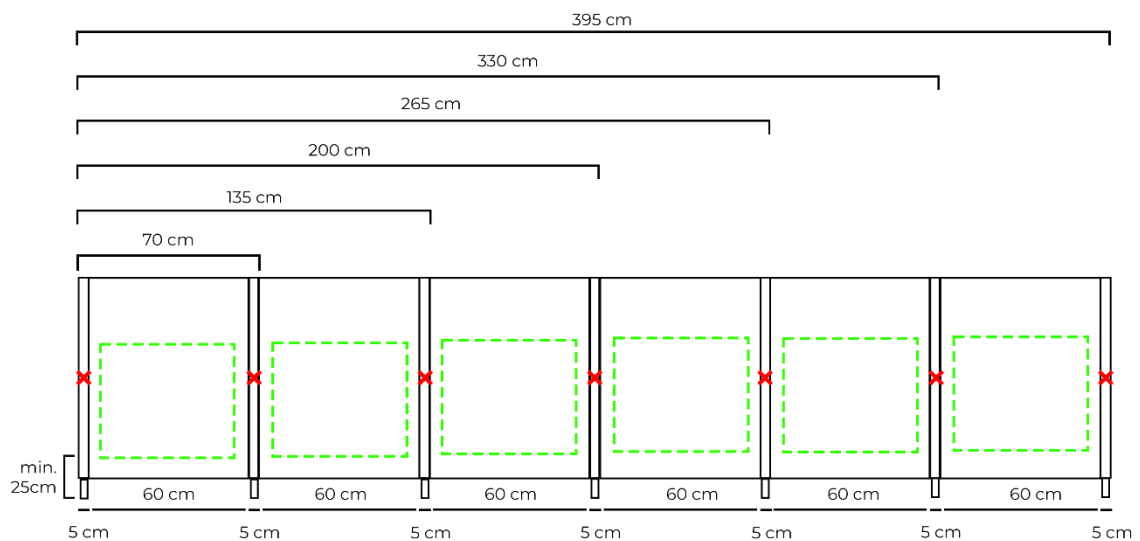
Important:

Connection points must never be positioned behind a side frame (5 cm), as these areas will not be accessible after installation.

2. Positioning of Connections

All connection points should be located within the green marked areas shown in the installation diagram. These areas sit inside the cabinet units.

We will create precise cut-outs in the rear panel where required to ensure easy access to all connections. Please refer to the technical illustration for exact dimensions.



3. Height of Connections

The outdoor kitchen stands on adjustable feet. The space beneath the base panel is limited and not easily accessible.

For this reason, we strongly advise positioning all connections inside the cabinet units rather than at the level of the adjustable feet.

The height of the side frame and adjustable feet is approximately **18 to 19.5 cm**, depending on how far the feet are extended. We recommend allowing a small tolerance margin.

A practical and clean height for power sockets is approximately **30 cm above ground level**.

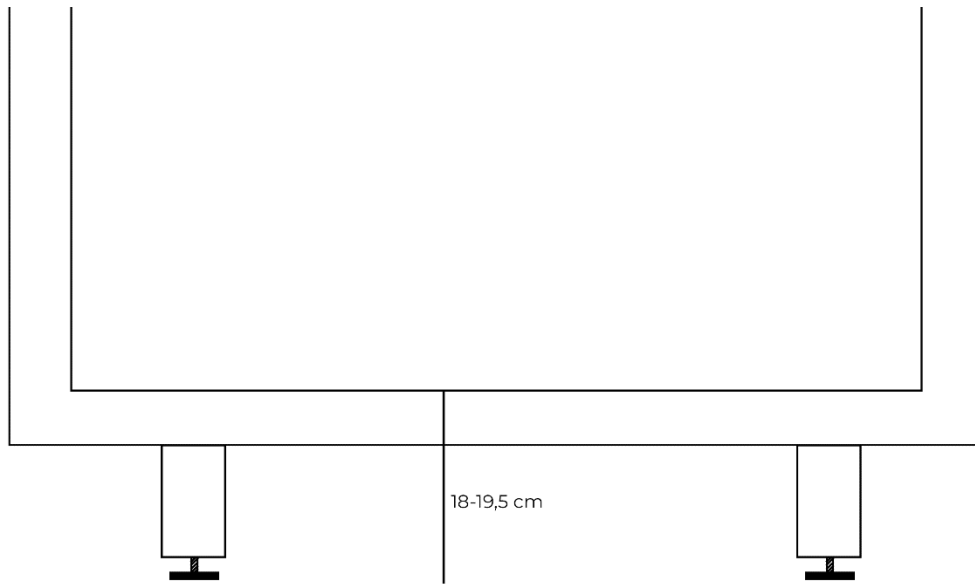


Figure 2 Side view of outdoor kitchen.

4. Sink and Tap Connections

To install a sink and tap, the following are required:

- Hot and cold water supply
- Drain connection

There are two possible configurations:

Option 1: Connections from the Rear Wall

The preferred solution is for both the water supply and drainage to exit directly from the wall, centred within the module where the sink will be positioned.

Example:

If the sink is installed in the third module from the left:

$$5 + 60 + 5 + 60 + 5 + 30 =$$

165 cm from the left-hand side of the kitchen

(measured excluding the worktop overhang).

Connections from the Floor

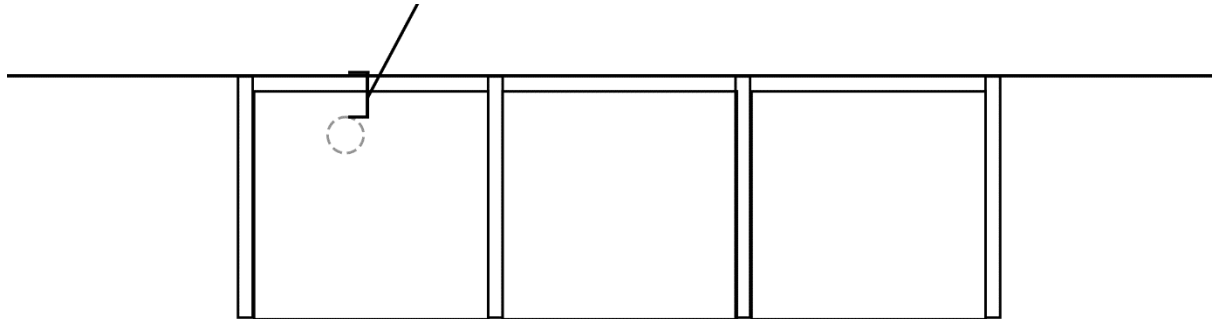
It is also possible to route the drainage pipe upwards through the floor.

In this case, the drain must be positioned at least **10 cm away from the rear wall**.

We kindly request that the 90 degree upward elbow is installed in advance so the pipe position is clearly visible.

Please extend the vertical section of the pipe only after the kitchen has been positioned, to prevent interference during installation.

10 cm away from the rear wall.

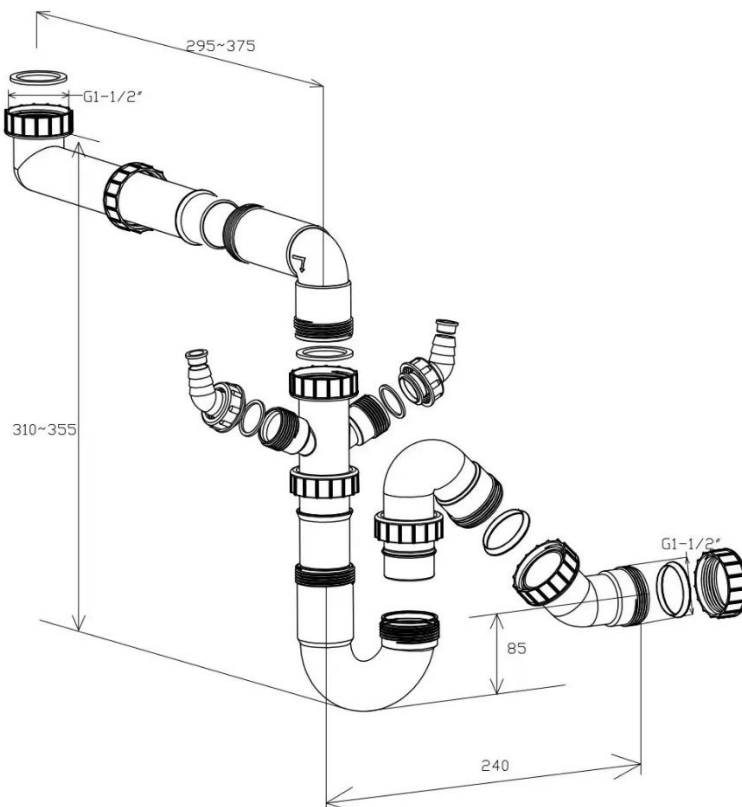


Technical Specifications

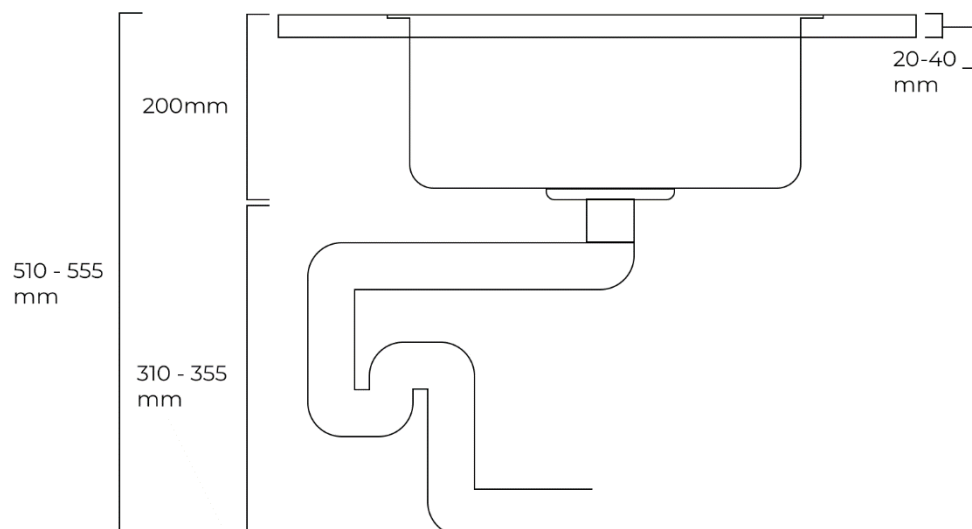
Siphon:

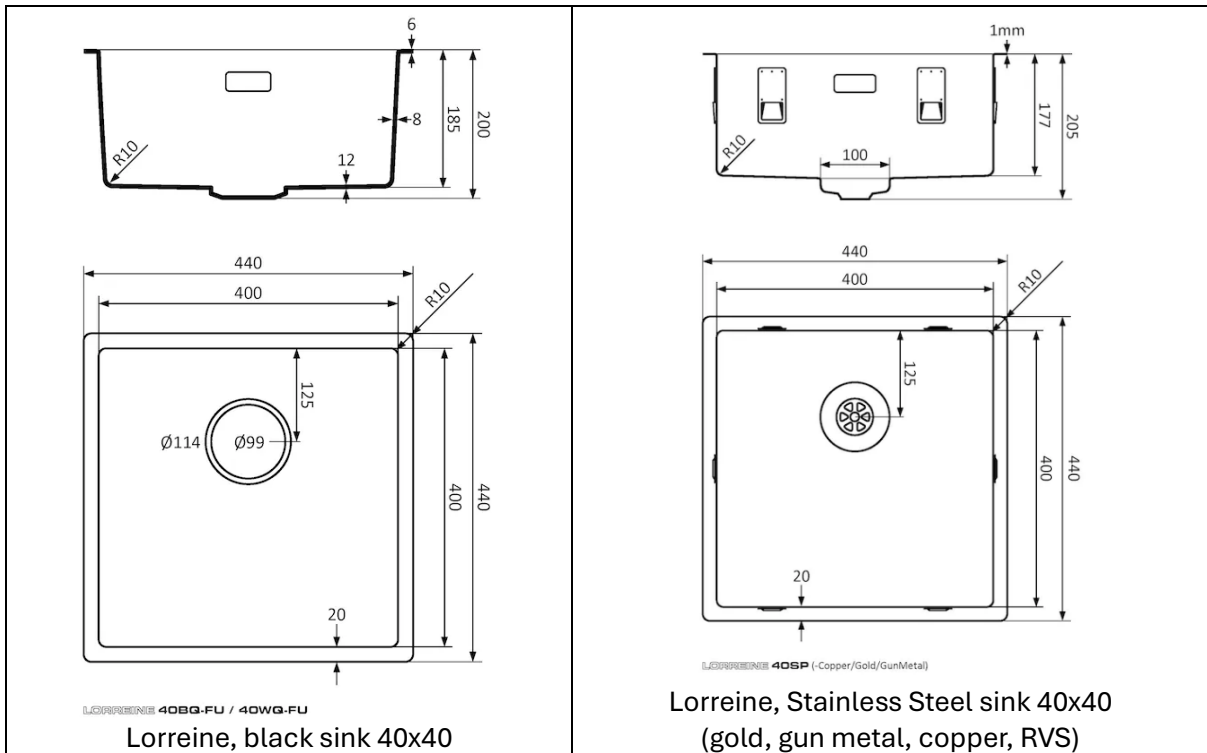
- Height: 31 to 35.5 cm (measured from underside of sink)
- Sink depth: approximately 20 cm
- Total clearance required beneath the worktop: 51 to 55.5 cm
- Drain connection: 1 1/2 inch to waste

Siphon dimensions



Side view of sink with siphon



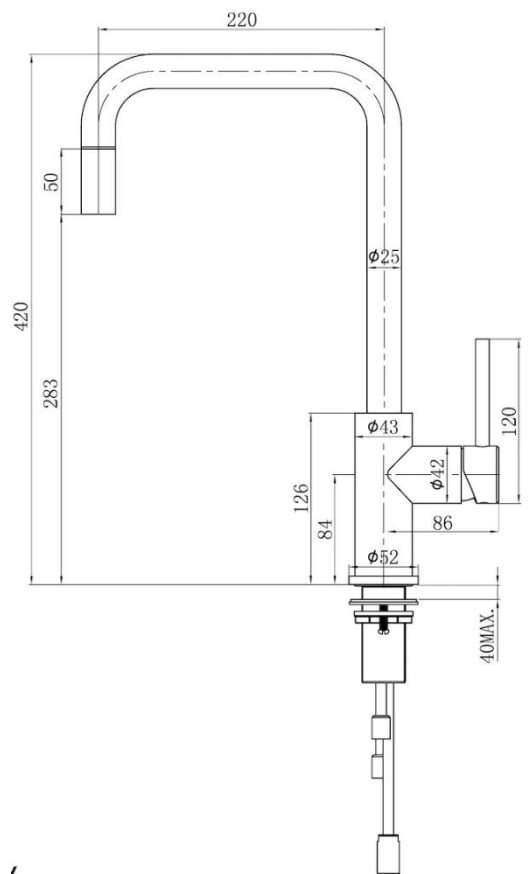


Tap:

- Connections: hot and cold water (2x G 3/8")
- Can be connected to a frost-proof outdoor tap

Additional notes:

- If only cold water is available, a plumber can split one cold water supply into two connections.
- If you require hot water but only have cold water available, a compact under-sink boiler or instantaneous water heater can be installed.
- **Important:** The tap and any boiler or Quooker must be isolated during winter to prevent frost damage.



Questions?

If you have any questions regarding installation or connection points, we strongly encourage you to clarify them in advance. Early planning helps prevent complications during installation.

For further assistance, please contact Life-Steel UK:

E-mail: info@life-steel.co.uk

Telephone: 01442 877600